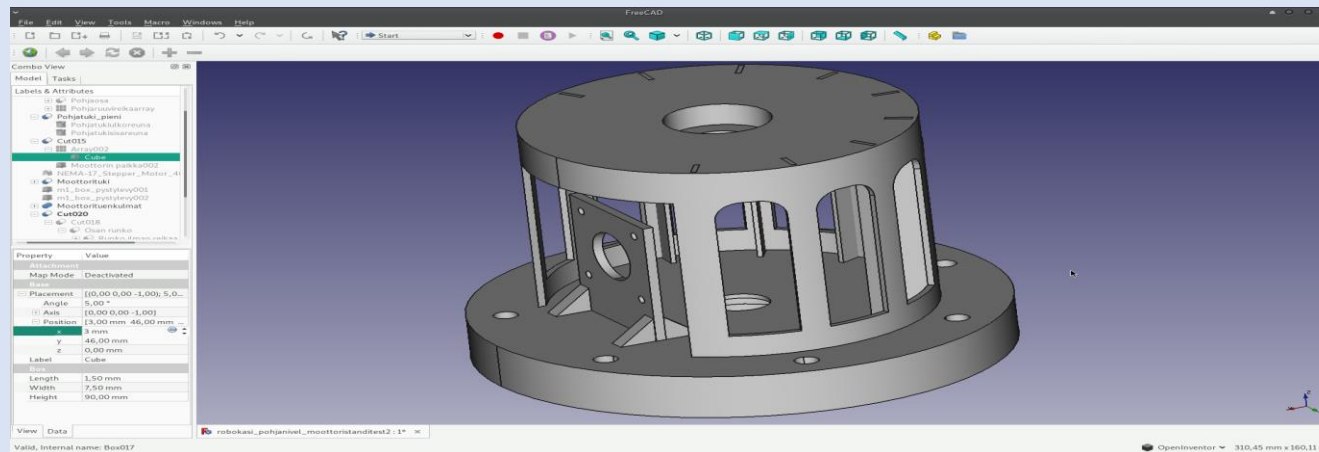


PRINCE SHRI VENKATESHWARA PADMAVATHY ENGINEERING COLLEGE

TRAINING & PLACEMENT CELL

CAD Software Training

22.08.2016 to 26.08.2016



CADDAM TECHNOLOGIES PVT.LTD